

GoHz Frequency Converter

User Manual



Catalogue

I. Safety Precaution	2
II. Overview	3
• Product Features	3
• Model Definition	3
• Checklist	3
• Nameplate	3
III. Layout	4
• HZ-60-xxxx Frequency Converter	4
• HZ-50-xxxx Frequency Converter	5-6
IV. Installation	7
• Wiring Precaution.....	7
• Grounding System.....	8
• Cable Diameter Reference Table	9-10
• Wiring Terminals	11
V. Operation Panel	12
• HZ-60-xxxx Frequency Converter	12
• HZ-50-11xx & HZ-50-31xx Frequency Converter	13
• HZ-50-33xx Frequency Converter	14
VI. Operation Guide	15
VII. Specification	16
• HZ-60-xxxx & HZ-50-11xx Frequency Converter	16
• HZ-50-31xx Frequency Converter	17-18
• HZ-50-33xx Frequency Converter	19-20
• Drawing & Dimension	21-22
VIII. Troubleshooting	23
IX. Maintenance	24
X. Storage	25

Chapter I. Safety Precaution

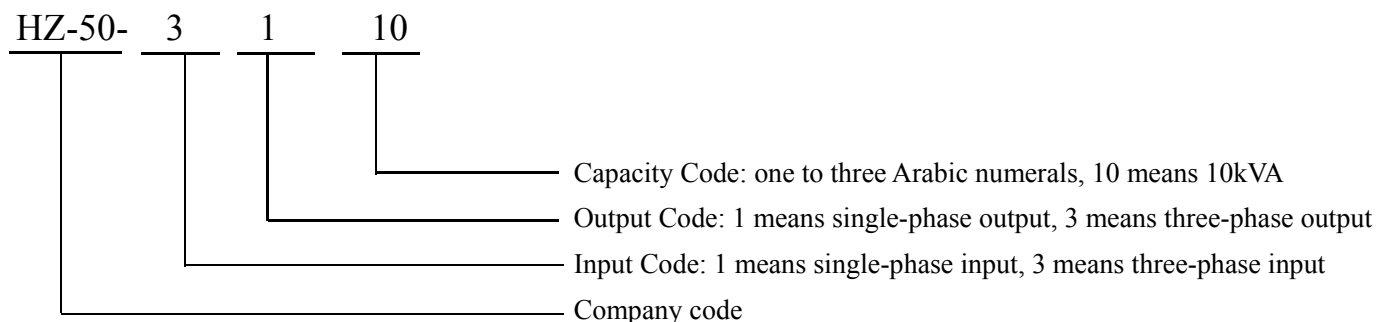
- Read this user manual before using GoHz frequency converters.
- Keep this user manual near the frequency converter for reading at any time.
- Careful in transporting the frequency converter to avoid impact.
- Do not put the frequency converter on uneven or inclined place.
- Do not block the venting holes or slits to keep the frequency converter well-cooling effect, the back of the frequency converter should keep 10 cm (4 inches) away from the wall.
- Double check the frequency converter and power supply specifications are matched and well-wired before power connection to avoid any careless damage.
- Frequency converters have different installations according to different capacities and voltage levels, choose an appropriate configuration and cable diameter.
- Do not overload the frequency converter to prevent the electric shock or cause fires.
- Please follow the implementation of electrician laws and regulations.
- In case of abnormal phenomenon happens, follow this user manual in troubleshooting or contact the manufacturer.
- Please keep frequency converter clean and do not put heavy objects on top of it.
- Prevent any liquids and sundries into the frequency converter, in order to avoid poor contact or short circuit to cause electric shock or fire.
- Better to unplug the power cord in storm, lightning or thunder days.
- Avoid placing in direct sunlight, raining or humid place.
- Keep it away from the source of ignition and heat to prevent overheat.
- Shutdown the power cord during moving or maintaining the frequency converter.

Chapter II. Overview

Product Features

- GoHz frequency converter is suitable for use with resistive, capacitive, inductive and non-linear loads.
- Compatible with 50 Hz & 60 Hz input frequency.
- Adjustable single phase 0-300v AC, three phase 0-520v AC output voltage.
- Adjustable 40.0 to 120 Hz output frequency, customize 499.9Hz.
- Precise 4 LED digital display output frequency, voltage, ampere and wattage.
- Isolated operation, no harmonic distortion (EMI, EMC).
- Pure sine wave output.
- IGBT/PWM technology enhances compact size, low noise and high reliability.
- Capable to simulate global voltage, frequency power supplies.
- GoHz frequency converters are equipped with electronic circuit/instant trip breaker/buzzer alarm for over voltage, over current, over temperature, output short circuit protection.

Model Definition



Checklist

Every frequency converter has functional testing before leaving factory, the frequency converter is wooden packaged, includes:

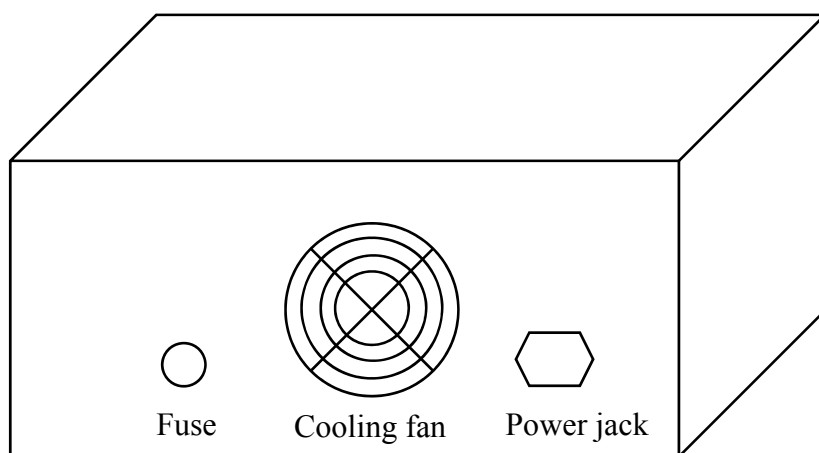
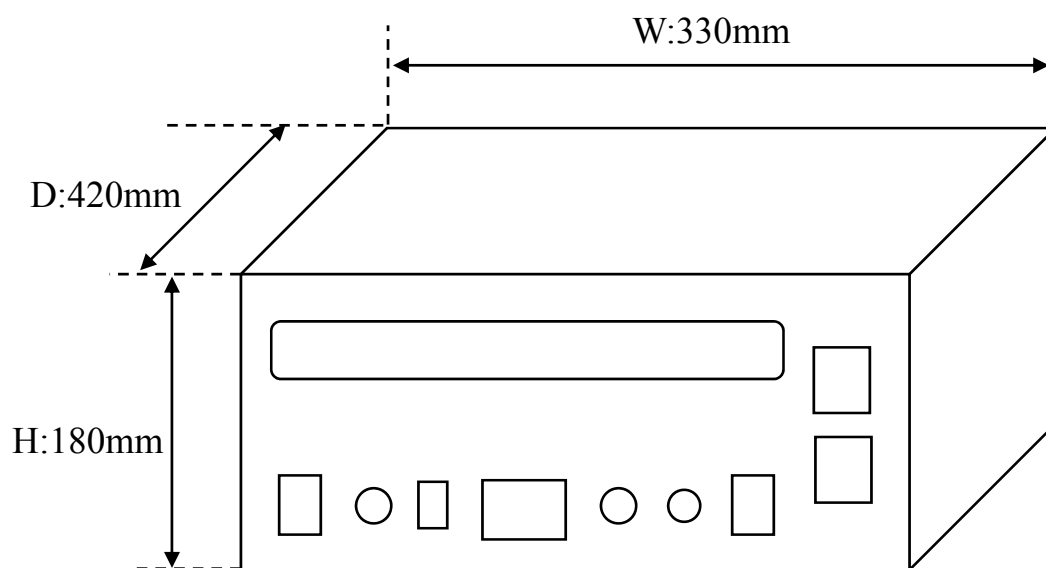
- 1 unit frequency converter
- 1 unit input power cable (only for HZ-60-xxxx series)
- Operation manual

Nameplate

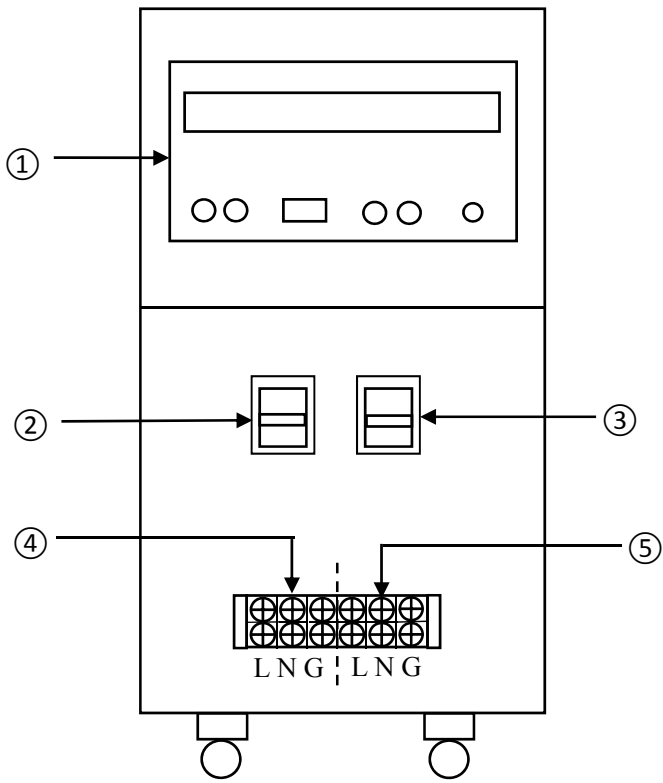
GoHz Frequency Converter	
Model:	HZ-60-1101
Capacity:	1kVA
Input:	1P2W 220V 50Hz/60Hz
Output:	1P2W 0 – 300V, 40.0 – 499.9Hz
Serial Number:	GoHz-20150101010

Chapter III. Layout

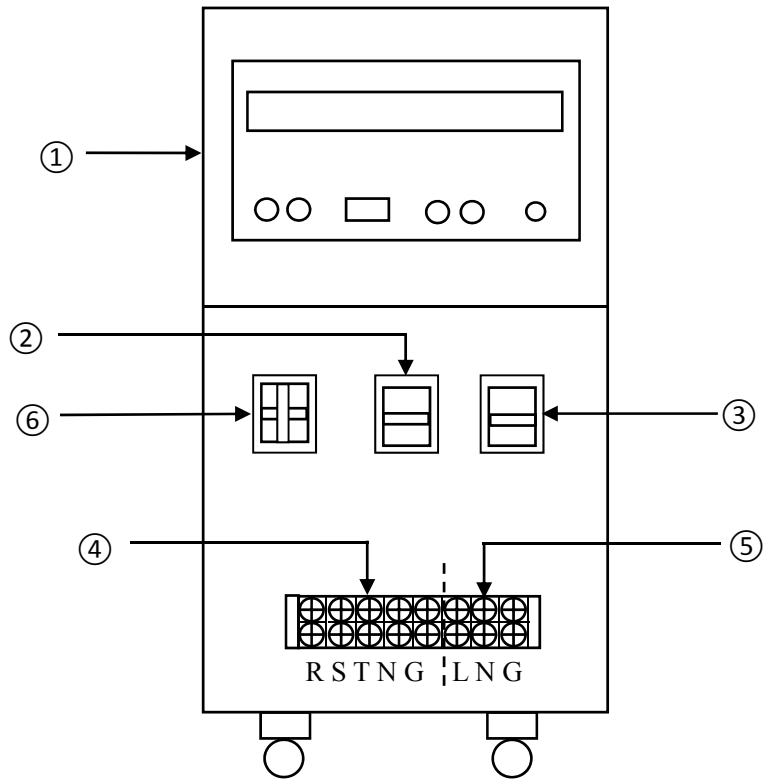
HZ-60-xxxx Frequency Converter



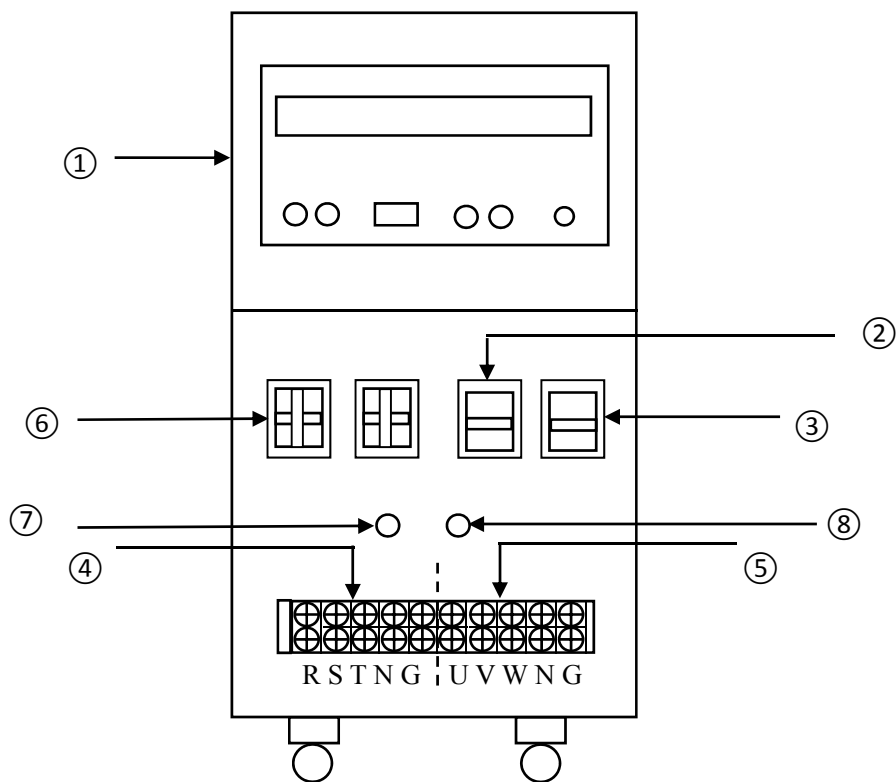
HZ-50-xxxx Frequency Converter



Single Phase



Three Phase to Single Phase



Three Phase

- ① Operation Panel
- ② Input Air-switch
- ③ Output Air-switch
- ④ Input Terminals
- ⑤ Output Terminals
- ⑥ Low/High Voltage Switch (For 30kVA and Above)
- ⑦ Low/High Voltage Indicator (For 3-Phase 3kVA to 20kVA)
- ⑧ Phase/Line Voltage Switch (For 3-Phase 3kVA to 20kVA)

Chapter IV. Installation

Wiring Precaution

- Whether the capacity of the frequency converter in accordance with your loads.
- Whether the frequency converter damaged during transportation, if so, do not connect it to power source.
- Shut down power before wiring, check the input voltage before installation.
- Make sure the specification of the cable in accordance with the frequency converter before wiring. The cable diameter should follow the voltage level and capacity of the frequency converter.
- Please refer to electrician wiring regulations, or following the "Cable Diameter Reference" table.
- Avoid sharing the power switch of the frequency converter with other appliances.
- Use O-type wiring terminals, make sure it's well-wired, tighten screws to avoid poor contact and prevent electric shock.
- Make sure the power source is correct to match single phase or three phase frequency converter.
- For grounding, refer to the next page.
- Make sure all switches on "OFF" status before connecting the frequency converter to power source.
- Make sure the power source, frequency converter and loads are matching before power on.
- Internal semiconductor components are sensitive to static electricity, be careful in touching the metal control panel.

Grounding System

- In addition to safety consideration, well-grounded system also can avoid the power system interferes equipment normal operation.
- Ground Cable should be separated with Neutral Cable, unless special applications.
- Ground Cable should be 8AWG cable at least or the diameter is basically the same.
- Ground Cable is for specified frequency converter only, poor ground will cause interference to other machines.
- Use ground rods in grounding for the best.
- Ground Types:

Item	Application	Resistance value
1	Low voltage power supply system or high voltage electrical equipment of three-phase four-wire multi-grounded systems grounding	10Ω or less
2	Ungrounded high-voltage electrical equipment grounding system.	25Ω or less
3	Low voltage power supply system of three-phase three-wire ungrounded system.	50Ω or less
4	1. Low voltage electrical equipment grounding 2. Inner system grounding 3. Frequency converter secondary grounding 4. Low voltage electrical equipment metal body grounding.	1. Ground voltage less than 150V is 100Ω or less. 2. Ground voltage 151V to 300V is 50Ω or less. 3. Ground voltage higher than 301V is 10Ω or less.

Cable Diameter Reference Table

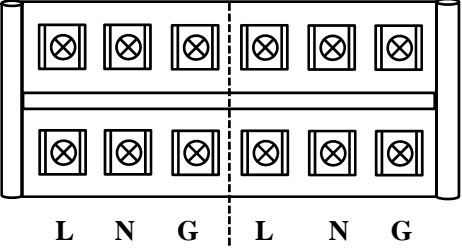
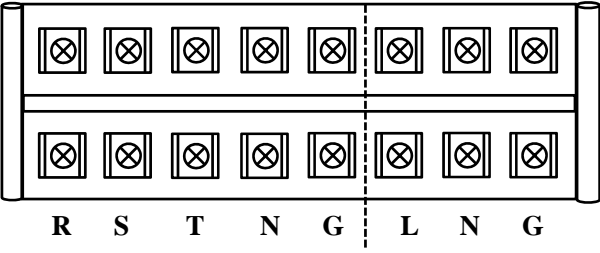
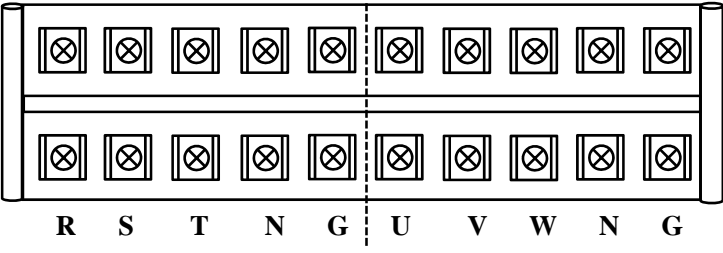
1Ø 2W / 220V					1Ø 2W / 0-300V				
Model (GoHz)	Capacity	Input			Max. O/P Current		Output		
		L	N	G	Low	High	L	N	G
1102	2kVA	$\geq 2.5\text{mm}^2$		2.5mm ²	16.8A	8.4A	$\geq 2.5\text{mm}^2$		2.5mm ²
1103	3kVA	$\geq 4\text{mm}^2$		2.5mm ²	25A	12.5	$\geq 4\text{mm}^2$		2.5mm ²
1105	5kVA	$\geq 6\text{mm}^2$		6mm ²	41.6A	20.8A	$\geq 6\text{mm}^2$		6mm ²
1110	10kVA	$\geq 10\text{mm}^2$		10mm ²	83.2A	41.6A	$\geq 16\text{mm}^2$		10mm ²
1115	15kVA	$\geq 16\text{mm}^2$		10mm ²	125A	62.5A	$\geq 25\text{mm}^2$		10mm ²
1120	20kVA	$\geq 25\text{mm}^2$		10mm ²	166.6A	83.3A	$\geq 35\text{mm}^2$		10mm ²
1130	30kVA	$\geq 35\text{mm}^2$		10mm ²	250A	125A	$\geq 50\text{mm}^2$		10mm ²

3Ø 4W / 380V						1Ø 2W / 0-300V					
Model (GoHz)	Capacity	Input					Max. O/P Current		Output		
		R	S	T	N	G	Low	High	L	N	G
3110	10kVA	$\geq 4\text{mm}^2$			6mm ²	83.2A	41.6A	$\geq 16\text{mm}^2$		10mm ²	
3115	15kVA	$\geq 6\text{mm}^2$			6mm ²	125A	62.5A	$\geq 25\text{mm}^2$		10mm ²	
3120	20kVA	$\geq 6\text{mm}^2$			6mm ²	166.6A	83.3A	$\geq 35\text{mm}^2$		10mm ²	
3130	30kVA	$\geq 10\text{mm}^2$			10mm ²	250A	125A	$\geq 50\text{mm}^2$		10mm ²	
3145	45kVA	$\geq 16\text{mm}^2$			10mm ²	375A	187.5A	$\geq 75\text{mm}^2$		10mm ²	
3150	50kVA	$\geq 16\text{mm}^2$			10mm ²	416.6A	208.3A	$\geq 83\text{mm}^2$		10mm ²	
3160	60kVA	$\geq 25\text{mm}^2$			10mm ²	500A	250A	$\geq 100\text{mm}^2$		10mm ²	
3175	75kVA	$\geq 30\text{mm}^2$			10mm ²	625A	312.5A	$\geq 150\text{mm}^2$		10mm ²	
3190	90kVA	$\geq 35\text{mm}^2$			10mm ²	750A	375A	$\geq 180\text{mm}^2$		10mm ²	
31100	100kVA	$\geq 50\text{mm}^2$			10mm ²	833.3A	416.7A	$\geq 200\text{mm}^2$		10mm ²	
31120	120kVA	$\geq 70\text{mm}^2$			10mm ²	1000A	500A	$\geq 250\text{mm}^2$		10mm ²	
31150	150kVA	$\geq 95\text{mm}^2$			10mm ²	1250A	625A	$\geq 300\text{mm}^2$		10mm ²	

3Ø 4W/ 380V						3Ø 4W / 0-520V							
Model (GoHz)	Capacity	Input					Max. O/P Current		Output				
		R	S	T	N	G	Low	High	U	V	W	N	G
3303	3kVA	≥1.5mm ²				2.5mm ²	8.4A	4.2A	≥2mm ²				6mm ²
3310	10kVA	≥4mm ²				2.5mm ²	27.6A	13.8A	≥6mm ²				6mm ²
3315	15kVA	≥6mm ²				6mm ²	41.6A	20.8A	≥8mm ²				6mm ²
3320	20kVA	≥6mm ²				6mm ²	55.6A	27.8A	≥10mm ²				6mm ²
3330	30kVA	≥10mm ²				6mm ²	83.2A	41.6A	≥16mm ²				6mm ²
3345	45kVA	≥16mm ²				10mm ²	125A	62.5A	≥25mm ²				10mm ²
3360	60kVA	≥25mm ²				10mm ²	166.6A	83.3A	≥35mm ²				10mm ²
3375	75kVA	≥30mm ²				10mm ²	208.3A	104.2A	≥42mm ²				10mm ²
3390	90kVA	≥35mm ²				10mm ²	250A	125A	≥50mm ²				10mm ²
33100	100kVA	≥50mm ²				10mm ²	277.7A	138.8A	≥70mm ²				10mm ²
33120	120kVA	≥70mm ²				10mm ²	333.3A	166.6A	≥95mm ²				10mm ²
33150	150kVA	≥95mm ²				10mm ²	416.6A	208.3A	≥120mm ²				10mm ²
33200	200kVA	≥120mm ²				10mm ²	555.5A	277.7A	≥185mm ²				10mm ²
33300	300kVA	≥180mm ²				10mm ²	833.3A	416.6A	≥240mm ²				10mm ²

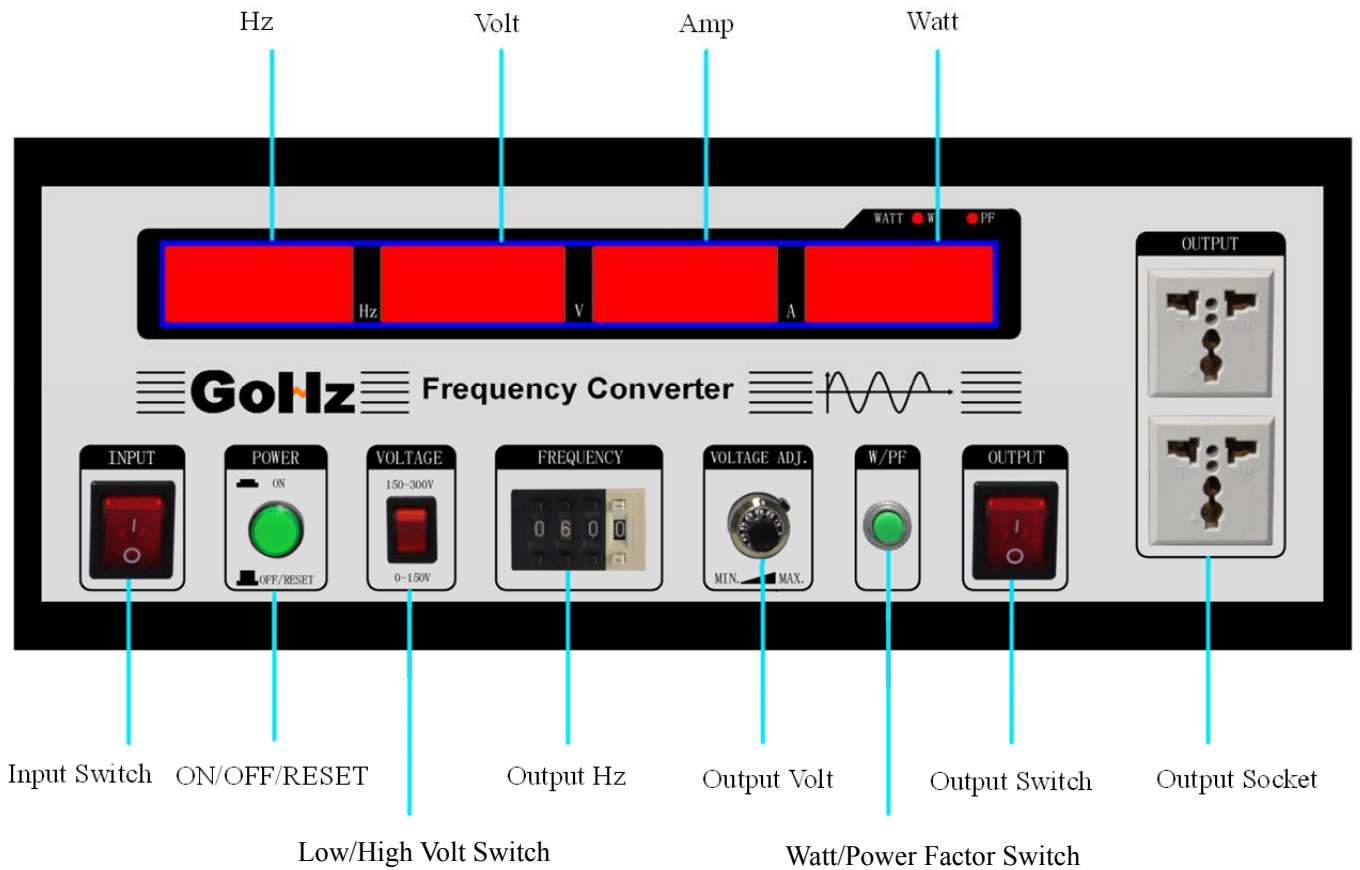
Note: user can choose different cables according to the input and output conditions, when the input or output cable length exceeds 20 meters, the cable diameter should be doubled.

Wiring Terminals

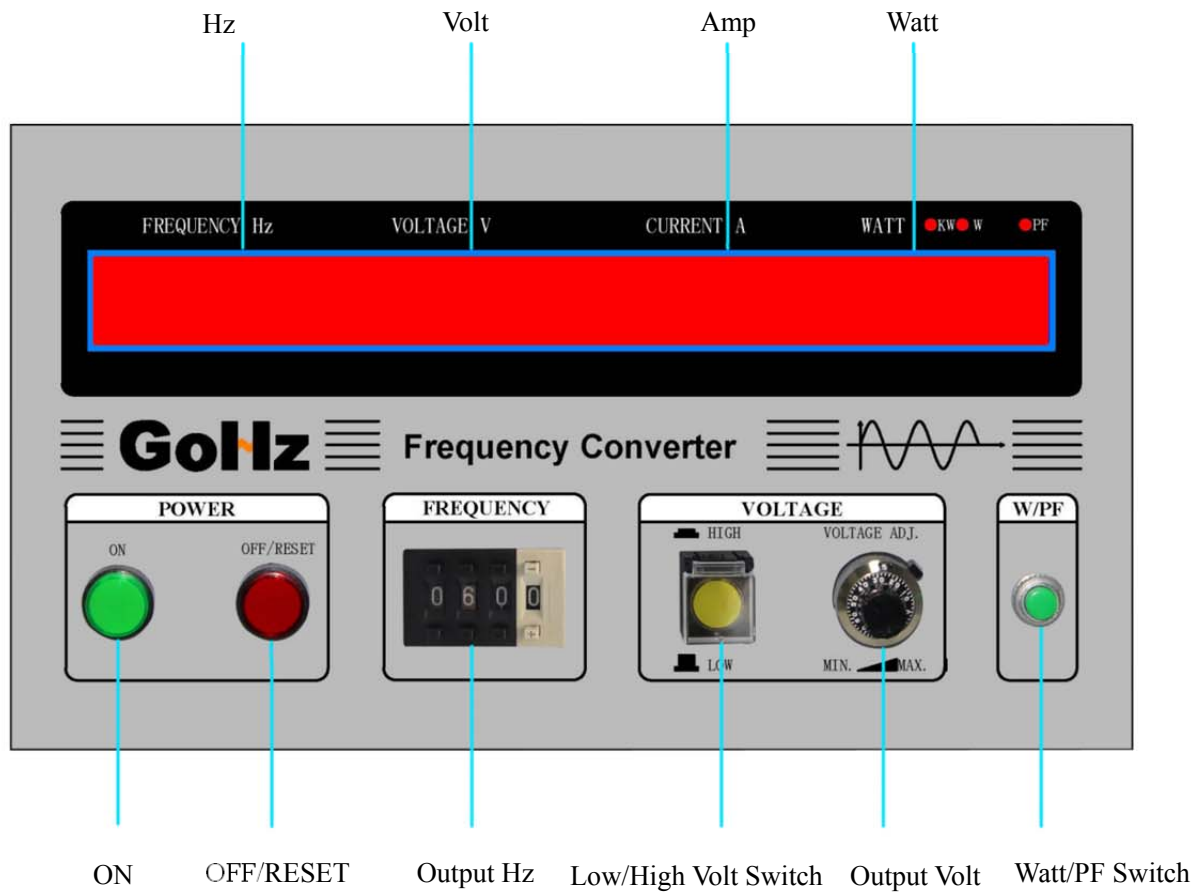
<p>Single Phase Input, Single Phase output.</p>	 <p style="text-align: center;">L N G L N G</p> <p style="text-align: center;">Input Output</p>
<p>Three Phase Input, Single Phase Output.</p>	 <p style="text-align: center;">R S T N G L N G</p> <p style="text-align: center;">Input Output</p>
<p>Three Phase Input, Three Phase Output.</p>	 <p style="text-align: center;">R S T N G U V W N G</p> <p style="text-align: center;">Input Output</p>

Chapter V. Operation Panel

HZ-60-xxxx Frequency Converter



HZ-50-11xx & HZ-50-31xx Frequency Converter

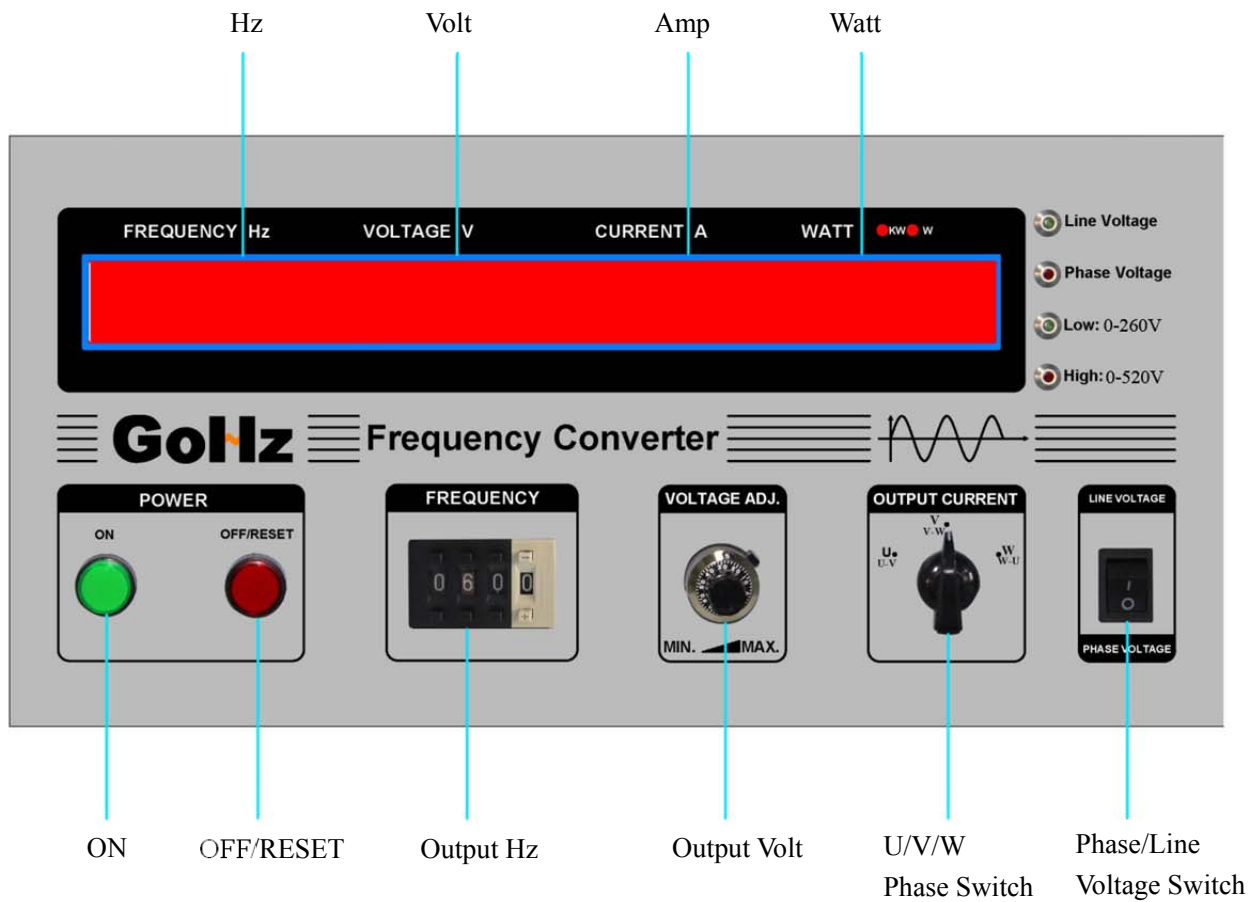


2kVA-30kVA



45kVA-150kVA

HZ-50-33xx Frequency Converter



30kVA-500kVA



3kVA-20kVA

Chapter VI. Operation Guide

Proper operating procedures allow you to use the frequency converter more smoothly and avoid unnecessary troubles.

1. Make sure the POWER ON switch is on OFF position.
2. Make sure the switches, rotary buttons, displays are not loosen or damaged.
3. Make sure the power supply is matching with the frequency converter specifications (110V, 220V etc.) before turning the input POWER ON switch to ON position.
4. Set the output frequency by "FREQUENCY SET" switch. Note, press OFF/RESET for setting hundreds frequency (1xx.x).
5. Choose the Low/High Voltage output voltage according to the loads, for $\leq 150V$ change 0-150V (low) and 0-300V (high) base on required voltage.
6. Press to POWER ON switch (ON).
7. Connect loads cable and turn on the AC OUTPUT switch to obtain required standard AC power supplies.
8. GoHz frequency converter has overcurrent (overload), over temperature, short circuit, instantaneous power off protection and warning indicators. In case of above phenomenon happens, the protection circuit cut off output immediately and trigger warning buzzer.
9. Press OFF / RESET switch to cut off the output.

Caution: For 30kVA frequency converter (and above), to switch Low/High voltage, if the frequency converter is connected loads, the frequency converter must be powered off and turn off the output switch before switching the voltage.

Chapter VII. Specification

HZ-60-xxxx & HZ-50-11xx (Single Phase Input, Single Phase Output)

Model		HZ-60-500W	HZ-60-1101	HZ-50-1102	HZ-50-1103	HZ-50-1105	HZ-50-1110	HZ-50-1115	HZ-50-1120	
Capacity		500VA	1kVA	2kVA	3kVA	5kVA	10kVA	15kVA	20kVA	
Input	Voltage (Optional)	1 Phase 2 Wire: 110V/220V/230V/240 ± 10%								
	Frequency	50Hz or 60Hz ± 5%								
Output	Voltage	0-150V (Low Voltage range)								
		0-300V (High Voltage range)								
	Frequency	40.0Hz to 120Hz (Higher than 120Hz is customized)								
	Current	Low-grade	4.2A	8.4A	16.8A	25A	41.6A	83.2A	125A	166.6A
		High-grade	2.1A	4.2A	8.4A	12.5A	20.8A	41.6A	62.5A	83.3A
	Load stabilization Rate	≤±1%								
	Frequency Stability	≤±0.01%								
	Harmonic Distortion	Pure Sine Wave ≤2%								
	Frequency meter	4 digit, digital frequency meter, resolution 0.1Hz/Step								
	Voltmeter	4 digit, digital voltage meter, resolution 0.1V								
Ammeter	4 digit, digital ammeter, resolution 0.1A									
Watt meter	4 digit, digital Watt meter, resolution 0.1W									
Protection		With overload, short circuit, over temperature								
		Instantaneous power failure protection and alarm device								
Working Environment		Temperature	0 - 40 deg. °C							
		Humidity	0 - 90% (Non condensation)							

HZ-50-31xx (Three Phase Input, Single Phase Output)

Model		HZ-50-3110	HZ-50-3115	HZ-50-3120	HZ-50-3130	HZ-50-3145	HZ-50-3150	HZ-50-3160	
Capacity		10kVA	15kVA	20kVA	30kVA	45kVA	50kVA	60kVA	
Input	Voltage (Optional)	3 Phase 4 Wire: Wye Type 190/110, 200/115, 208/120, 220/128, 230/132, 240/139V±10%							
		3 Phase 4 Wire: Wye Type 380/220, 400/230, 415/240, 440/254, 460/265, 480/277V ± 10%							
		3 Phase 4 Wire: Della Type 220, 230, 240, 380, 400, 415, 440V ± 10%							
Frequency		50Hz or 60Hz ± 5%							
Output	Voltage	0-150V (Low Voltage range)							
		0-300V (High Voltage range)							
	Frequency		40.0Hz to 120Hz (Higher than 120Hz is customized)						
	Current	Low-grade	83.2A	125A	166.6A	250A	375A	416.6A	500A
		High-grade	41.6A	62.5A	83.3A	125A	187.5A	208.3A	250A
	Load stabilization Rate		≤±1%						
	Frequency Stability		≤±0.01%						
	Harmonic Distortion		Pure Sine Wave ≤2%						
	Frequency meter		4 digit, digital frequency meter, resolution 0.1Hz/Step						
	Voltmeter		4 digit, digital voltage meter, resolution 0.1V						
Ammeter		4 digit, digital ammeter, resolution 0.1A							
Watt meter		4 digit, digital Watt meter, resolution 0.1W							
Protection		With overload, short circuit, over temperature							
		Instantaneous power failure protection and alarm device							
Working Environment		Temperature	0 - 40 deg. °C						
		Humidity	0 - 90% (Non condensation)						

HZ-50-31xx (Three Phase Input, Single Phase Output)

Model		HZ-50-3175	HZ-50-3190	HZ-50-31100	HZ-50-31120	HZ-50-31150	
Capacity		75kVA	90kVA	100kVA	120kVA	150kVA	
Input	Voltage(Optional)	3 Phase 4 Wire: Wye Type 190/110, 200/115, 208/120, 220/128, 230/132, 240/139V±10%					
		3 Phase 4 Wire: Wye Type 380/220, 400/230, 415/240, 440/254, 460/265, 480/277V ± 10%					
		3 Phase 4 Wire: Della Type 220, 230, 240, 380, 400, 415, 440V ± 10%					
Frequency		50Hz or 60Hz ± 5%					
Output	Voltage	0-150V (Low Voltage range)					
		0-300V (High Voltage range)					
	Frequency		40.0Hz to 120Hz (Higher than 120Hz is customized)				
	Current	Low-grade	625A	750A	833.3A	1000A	1250A
		High-grade	312.5A	375A	416.6A	500A	625A
	Load stabilization Rate		≤±1%				
	Frequency Stability		≤±0.01%				
	Harmonic Distortion		Pure Sine Wave ≤2%				
	Frequency meter		4 digit, digital frequency meter, resolution 0.1Hz/Step				
	Voltmeter		4 digit, digital voltage meter, resolution 0.1V				
Ammeter		4 digit, digital ammeter, resolution 0.1A					
Protection		With overload, short circuit, over temperature					
		Instantaneous power failure protection and alarm device					
Working Environment		Temperature	0 - 40 deg. °C				
		Humidity	0 - 90% (Non condensation)				

HZ-50-33xx (Three Phase Input, Three Phase Output)

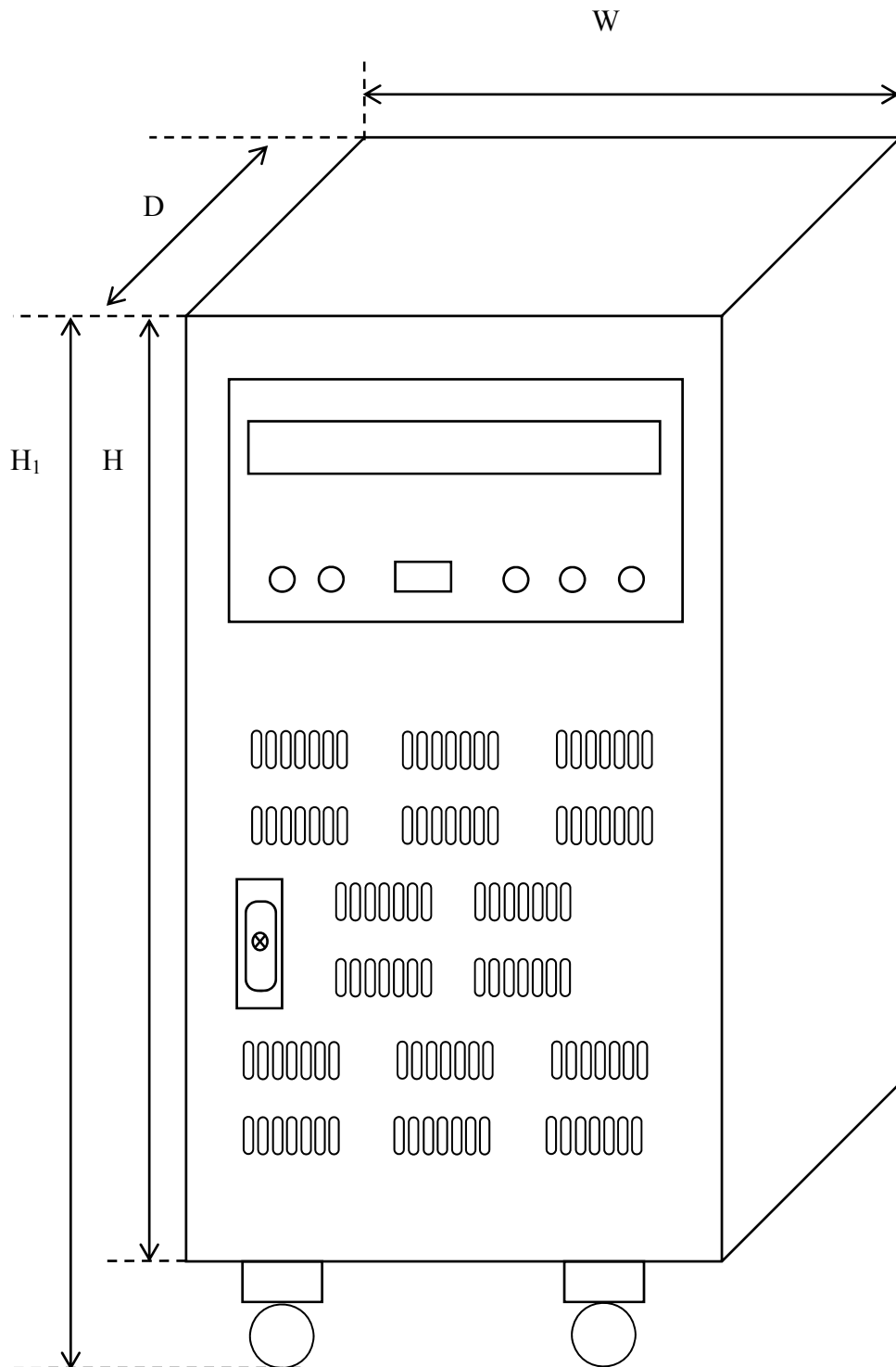
Model		HZ-50-3303	HZ-50-3310	HZ-50-3315	HZ-50-3320	HZ-50-3330	HZ-50-3345	HZ-50-3360	
Capacity		3kVA	10kVA	15kVA	20kVA	30kVA	45kVA	60kVA	
Input	Voltage (Optional)	3 Phase 4 Wire: Wye Type 190/110, 200/115, 208/120, 220/128, 230/132, 240/139V±10%							
		3 Phase 4 Wire: Wye Type 380/220, 400/230, 415/240, 440/254, 460/265, 480/277V ± 10%							
		3 Phase 4 Wire: Della Type 220, 230, 240, 380, 400, 415, 440V ± 10%							
Frequency		50Hz or 60Hz ± 5%							
Output	Voltage	0-260V (Low Voltage range)							
		0-520V (High Voltage range)							
	Frequency		40.0Hz to 120Hz (Higher than 120Hz is customized)						
	Current	Low-grade	8.4A	27.6A	41.6A	55.6A	83.2A	125A	166.6A
		High-grade	4.2A	13.8A	20.8A	27.8A	41.6A	62.5A	83.3A
	Load stabilization Rate		≤±1%						
	Frequency Stability		≤±0.01%						
	Harmonic Distortion		Pure Sine Wave ≤2%						
	Frequency meter		4 digit, digital frequency meter, resolution 0.1Hz/Step						
	Voltmeter		4 digit, digital voltage meter, resolution 0.1V						
Ammeter		4 digit, digital ammeter, resolution 0.1A							
Watt meter		4 digit, digital Watt meter, resolution 0.1W							
Protection		With overload, short circuit, over temperature							
		Instantaneous power failure protection and alarm device							
Working Environment		Temperature	0 - 40 deg. °C						
		Humidity	0 - 90% (Non condensation)						

HZ-50-33xx (Three Phase Input, Three Phase Output)

Model		HZ-50-3375	HZ-50-33100	HZ-50-33120	HZ-50-33150	HZ-50-33200	HZ-50-33300	
Capacity		75kVA	100kVA	120kVA	150kVA	200kVA	300kVA	
Input	Voltage (Optional)	3 Phase 4 Wire: Wye Type 190/110, 200/115, 208/120, 220/128, 230/132, 240/139V±10%						
		3 Phase 4 Wire: Wye Type 380/220, 400/230, 415/240, 440/254, 460/265, 480/277V ± 10%						
		3 Phase 4 Wire: Della Type 220, 230, 240, 380, 400, 415, 440V ± 10%						
Frequency		50Hz or 60Hz ± 5%						
Output	Voltage	0-260V (Low Voltage range)						
		0-520V (High Voltage range)						
	Frequency		40.0Hz to 120Hz (Higher than 120Hz is customized)					
	Current	Low-grade	208.3A	277.7A	333.3A	416.6A	555.5A	833.3A
		High-grade	104.2A	138.8A	166.7A	208.3A	277.7A	416.6A
	Load stabilization Rate		≤±1%					
	Frequency Stability		≤±0.01%					
	Harmonic Distortion		Pure Sine Wave ≤2%					
	Frequency meter		4 digit, digital frequency meter, resolution 0.1Hz/Step					
	Voltmeter		4 digit, digital voltage meter, resolution 0.1V					
	Ammeter		4 digit, digital ammeter, resolution 0.1A					
Watt meter		4 digit, digital Watt meter, resolution 0.1W						
Protection		With overload, short circuit, over temperature						
		Instantaneous power failure protection and alarm device						
Working Environment		Temperature	0 - 40 deg. °C					
		Humidity	0 - 90% (Non condensation)					

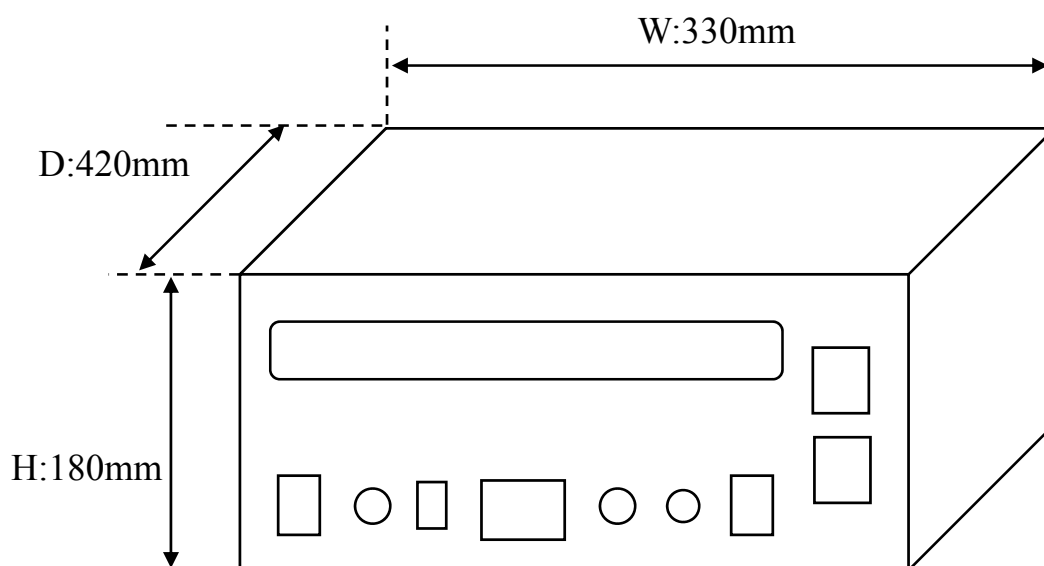
Drawing & Dimension

HZ-50-xxxx Frequency Converter Drawing



HZ-50-xxxx Frequency Converter Dimension

Model	Dimension			
	D (mm)	W (mm)	H (mm)	H ₁ (mm)
HZ-50-1102/1103/1105	550	400	500	670
HZ-50-1110/1115/1120	680	500	865	970
HZ-50-3110/3115/3120	680	500	865	970
HZ-50-1130-3130	770	580	1010	1140
HZ-50-3145/3150/3160	900	750	1070	1200
HZ-50-3175//3190/31100	1200	750	1120	1260
HZ-50-31120/31150	1500	860	1290	1430
HZ-50-3303	680	500	865	970
HZ-50-3310/3315/3320	770	580	1010	1140
HZ-50-3330/3345/3360	900	800	1070	1200
HZ-50-3375/3390	1200	750	1120	1260
HZ-50-33100/33120/33150/333200/33300	1500	860	1290	1430

HZ-60-xxxx Frequency Converter Drawing & Dimension

Chapter VIII. Troubleshooting

Please pay attention to internal high voltage components, only qualified electricians can maintain the frequency converter.

Turn off the frequency converter before proceeding troubleshooting procedures if it's not necessary to do live troubleshooting.

Phenomenon	Inspection methods	Troubleshooting
No input power	<ol style="list-style-type: none"> 1. Input switch is turn on or not? 2. Input voltage is right or not? 3. The fuse is burn down or not? 	<ol style="list-style-type: none"> 1. Turn the power supply input switch. 2. Connect to correct voltage power supply. 3. Check the fuse and replace the fuse with same specification if necessary.
Output power outage	<ol style="list-style-type: none"> 1. Is it power off or momentary power off? 2. Is it overload? 	<ol style="list-style-type: none"> 1. Press the activate switch (ON) to reboot. 2. Make sure the loads are within the capacity of the frequency converter.
No output voltage	<ol style="list-style-type: none"> 1. Is the fuse burn down or not? 2. Is it overloaded? 	<ol style="list-style-type: none"> 1. Check the fuse and replace the fuse with same specification if necessary. 2. Replace a larger capacity frequency converter.
Voltmeter, ammeter and power show "0" when the output frequency is normal.		<ol style="list-style-type: none"> 1. Turn the power switch to "OFF" position. 2. Change output voltage switch to zero. 3. Turn the power switch to "ON" position.
Voltmeter, ammeter and power show "0" and alarm rings when the output frequency is normal.		<ol style="list-style-type: none"> 1. Check and decrease the loads' current. 2. Press the shutdown/reset button (OFF/RESET). 3. Re-operation.
High temperature	<ol style="list-style-type: none"> 1. Is it overload? 2. Cooling fan is slowdown or not worked. 	<ol style="list-style-type: none"> 1. Decrease loads. 2. Replace a new cooling fan.
Emergency		<p>Please advise:</p> <ol style="list-style-type: none"> 1. Frequency converter model & serial number. 2. Date & Time of the failure. 3. Loads. 4. Detailed description of the failure.

Chapter IX. Maintenance

GoHz frequency converters do not require daily maintenance, a regular maintenance is benefited of longer lifetime, the maintain times is in accordance with the environmental conditions.

Preventive Measures:

- Do not put any liquid objects on the top of the frequency converter.
- If the frequency converter is installed in a harsh environment, such as windy and dusty, pay more attention to make the frequency converter clean or do more frequent maintenances.

Maintenances:

- Turn off the power switch.
- Clean inner dusts.
- Wipe the cabinet, cover and venting holes with a soft towel and detergent.
- Visual inspection of all power lines and terminals, see if there is collision, loose, hot corrosion, moisture, insect bites or rat bites, do some repairs or replaces if necessary.

Note: DO NOT do any maintenance if you are not a qualified electrician, and make sure the frequency converter is discharged completely before proceeding any maintenance.

Chapter X. Storage

The environment of the frequency converter being placed has direct affect to its function and lifetime, the environment should follow the conditions:

Moving:

- Please shut down and disconnect all cables before moving the frequency converter.
- Do not move the frequency converter upside down.
- Handle the frequency converter with care in moving to avoid impact.

Placement:

- Do not put the frequency converter on uneven or inclined place.
- Avoid direct sunlight, rain or humid place.
- Keep it away from fire and high temperature place to prevent overheating.
- Avoid oil mist, salt, corrosive gases erosion.
- Avoid dust, cotton and small metal objects intrusion.
- Keep the frequency converter in a well-ventilated place, keep the frequency converter's back away from the wall at least 10cm to ensure sufficient ventilation.
- Operating temperature 0 - 40°C, humidity 0 - 90% (non-condensing).